



m a p p

TECHNOLOGY

Технология модульного программирования



Торопов Константин
Инженер-программист

**ООО «Б+Р Промышленная
Автоматизация»**

Екатеринбург,
Крауля 9А, оф. 500

Тел: +7 (343) 289-0439
konstantin.toropov@br-automation.com

PERFECTION IN AUTOMATION
www.br-automation.com





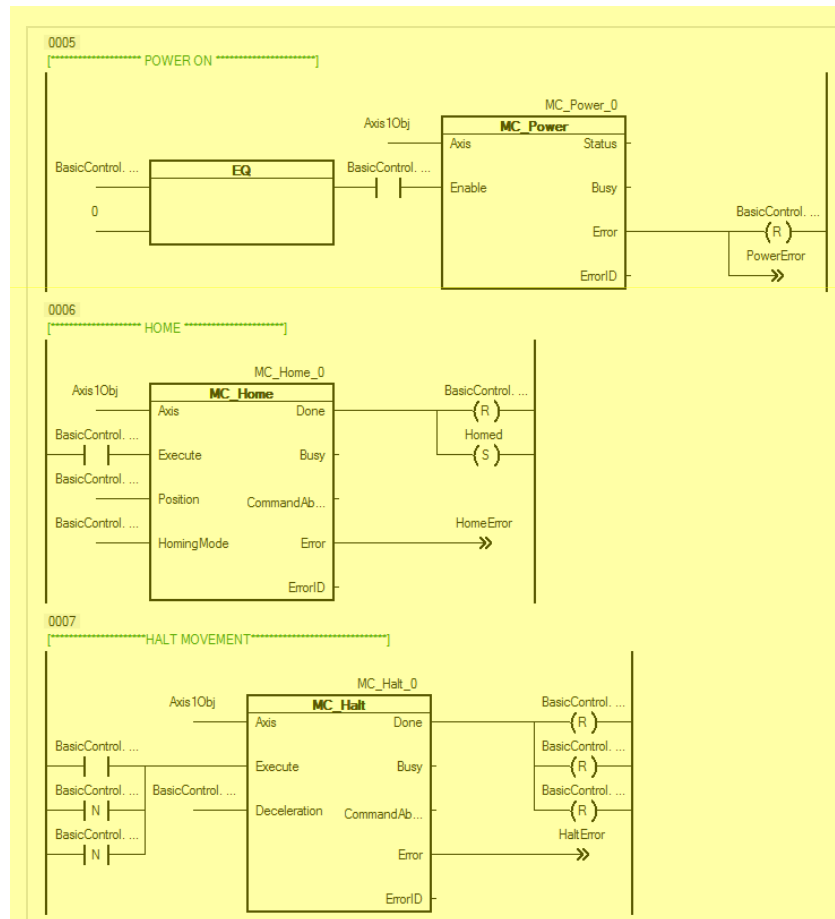
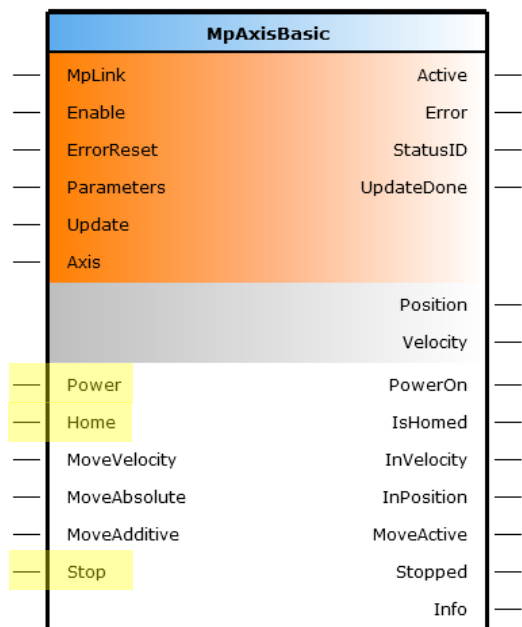


Больше времени на технологию (know how)
Больше конкурентных преимуществ

Повышение качества ПО
Снижение затрат на разработку,
обслуживание
Больше инноваций за меньшее время



Пример: Управление движением





mapp link



XML recipe system



Audit Trail



Variable trace



**Users /
Roles**



File browser



**VC alarm
expansion**



**Overall equipment
effectiveness**



Single- and
multi-axis function



Serial robots
Kinematics



Cartesian
CNC systems



Spindle
functionality



Delta robots
Kinematics



WebXs diagnostics
Configuration



SCARA robots
Kinematics



OMAC PackML
Standard

В среде разработки



Program::Cyclic.Id [Ladder Diagram - Cyclic] x

PROGRAM_CYCLIC

0001

MpDataRecorder_0

gDataRecorder [ADR] MpDataRecorder

1

Enable Error

ErrorReset StatusID

Header CommandBus y

CF [ADR] DeviceName Recording

time_period SamplingTime RecordDone

mpDATA_RE... MODE_TIME RecordMode SnapShotDone

Record Info

Trigger

SnapShot

0002

MpDataRegPar_0

gDataRecorder [ADR] MpDataRegPar

1

Enable Error

ErrorReset StatusID

Toolbox - Ladder Catalog

Catalog Favorites Recent

Search...

Library Groups

mapp

mapp

mapp Link PV Value Sampling Single Axis Multi Axis Overall Equipem... Generic Robot Arm Audit Trail Energy monitoring User Manager XML Recipe CSV Recipe

User Role Manager 2-Axis CNC 3-Axis CNC 4-Axis CNC 5-Axis CNC Messaging Services 6-Axis Robot Arm 4-Axis Robot Arm Generic CNC VC Alarm Extension File Explorer

2-Axis Delta Robot 3-Axis Delta Robot 4-Axis Delta Robot OMAC PackML 4-Axis SCARA 2-Axis SCARA Robot/CNC Teach Alarm System CNC Spindle

Name	Library	Description
MpAlarmBasic	MpAlarm	mapp component for a basic centralized alarm collection and m...
MpAlarmBasicUI	MpAlarm	mapp component for connecting alarms to the VC4 alarm system
MpAlarmReaction	MpAlarm	Indicates whether one of the filtered reactions is active
MpAlarmRegUser	MpAlarm	Add-On function block used to register user alarms with an emp...
MpAlarmReset	MpAlarm	Add-On function to reset a user alarm. By calling this function...
MpAlarmSet	MpAlarm	Add-On function to set (raise) a user alarm. By calling this functi...
MpAlarmXAcknowledge	MpAlarmX	Add-On function to acknowledge an alarm. By calling this functi...
MpAlarmXCheckReaction	MpAlarmX	Add-on function which checks whether a certain reaction is cur...
MpAlarmXCheckState	MpAlarmX	Add-on function which checks whether an alarm is currently in ...
MpAlarmXConfigAlarm	MpAlarmX	add-on function block that allows to load and save alarm config...
MpAlarmXCore	MpAlarmX	mapp component for advanced centralized alarm collection and...
MpAlarmXHistory	MpAlarmX	Historical recording of all alarm related events
MpAlarmXHistoryUI	MpAlarmX	add-on function block that provides VC4 connection datapoints...



Разработка до 67% быстрее

**Снижение рисков при
разработке**

**Повышение качества ПО
за счет использования
стандартных модулей**

**Снижение затрат на
техническое обслуживание**





Торопов Константин
Инженер-программист

**ООО «Б+Р Промышленная
Автоматизация»**

Екатеринбург,
Крауля 9А, оф. 500

Тел: +7 (343) 289-0439
konstantin.toropov@br-automation.com

PERFECTION IN AUTOMATION
www.br-automation.com

